

# **Sensedge Mini Installation Guide**

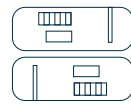
# **Surface Mount**

# 1 What you will need

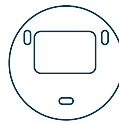
## Parts



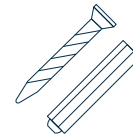
Sensedge Mini



Sensedge Mini  
sensor modules x 2



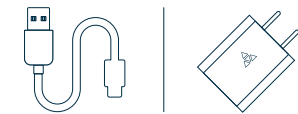
Surface / Drywall  
mount



Drywall screws and  
anchors (3 pairs)

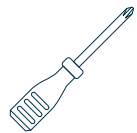


Fastening  
screws x 2

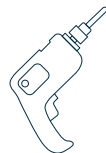


USB cable & Charger  
(Power via USB-C only)

## Tools



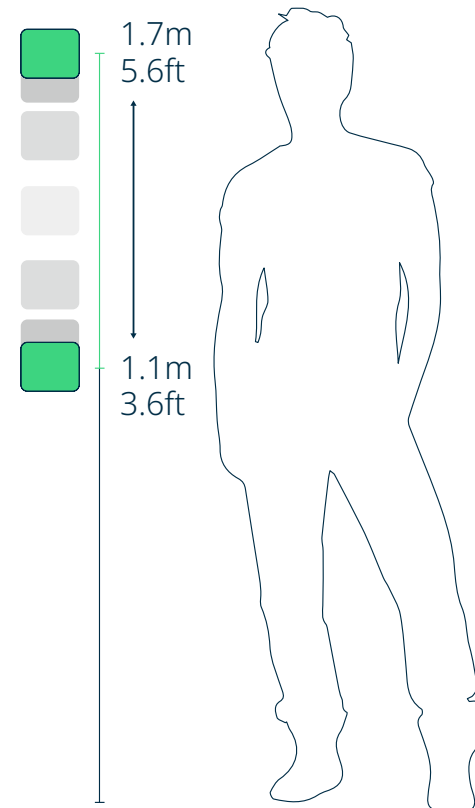
Cross screwdriver



Power drill

## ② Where to place your Sensedge Mini

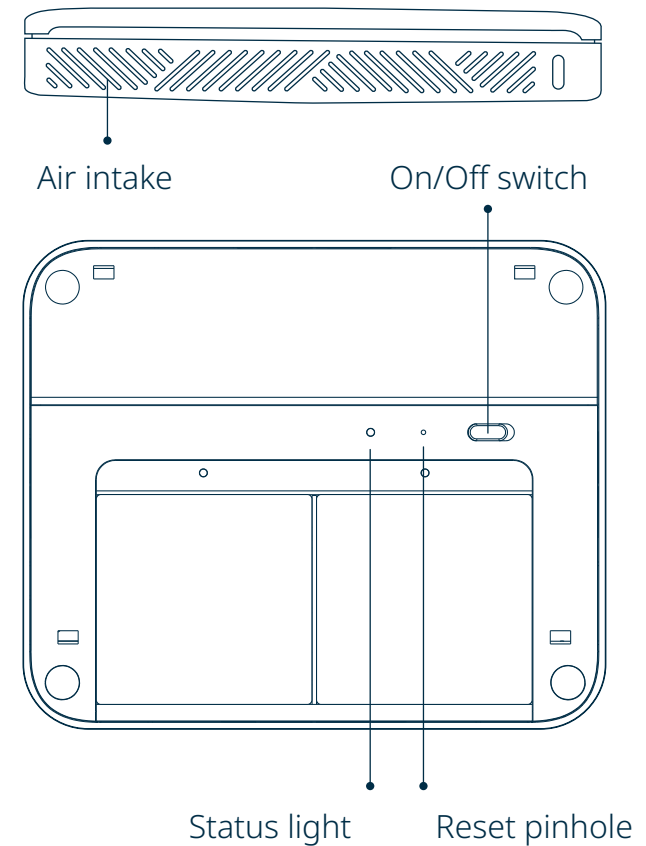
Install your device in occupied space at 1.1-1.7m (3.6-5.6 ft) above the floor (away from doors, windows, air supply and zones where occupants may exhale directly into the sensor). Please make sure that your desired mounting location is close to a power source.



# 3 Know your device

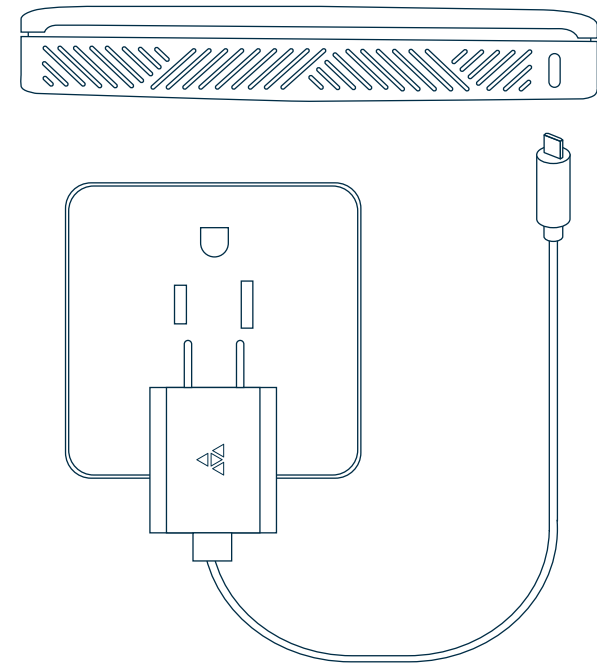
Remove the front cover of the Sensedge Mini, and you will find the ON/OFF switch and RESET pinhole, as well as a device status light.

Air is drawn into the Sensedge Mini from the lower side, as well as the air intake on the upper side. It is vital that neither side of the device is covered. Any changes in airflow may affect the readings and accuracy.



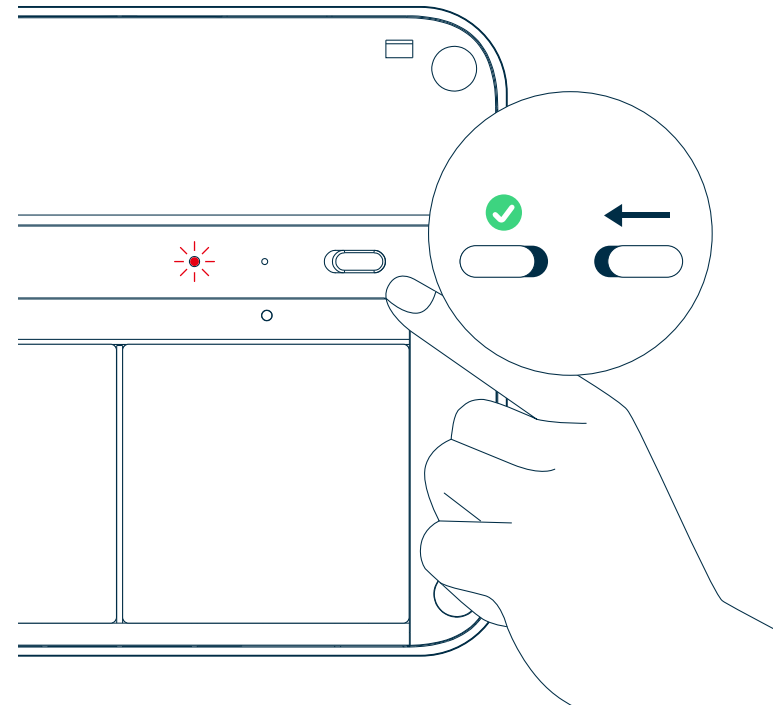
# 4 Power the device with USB-C cable and adapter

Power the Sensedge Mini by connecting the device to a charging port using the USB-C cable and adapter. The charging port is located at the bottom of the device.



# 5 Turn on the device and check for power connection

Move the ON/OFF switch to turn on the device.  
The STATUS light will go on briefly to indicate the device has been powered on.

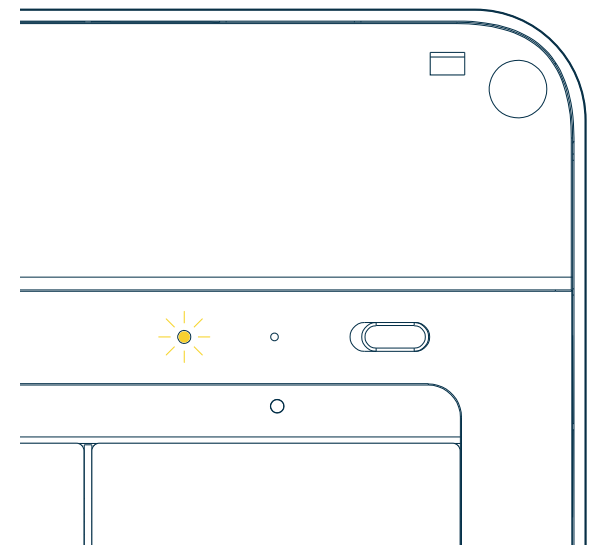


# 6 Set up Wi-Fi

## A. Prepare for Configuration

Download the [Kaiterra Configuration Tool](#) and install it on your computer.

After the device has been turned on, it will automatically enter the configuration mode for 15 minutes. The STATUS light will flash in yellow. If your device isn't in configuration mode, please turn off the device and turn it back on again.



## B. Connect to Wi-Fi

Open network settings on your computer and look for the Wi-Fi network that starts with “Kaiterra”. Connect your computer to that network.

On the Configuration Tool, you can enter a name for the device (e.g. the location of the device or the serial number) and a project tag. This will provide easy identification and filtering in the configuration history page later on to help you quickly connect the device to the Kaiterra dashboard.

Enter the Wi-Fi details to the applicable fields on the Configuration Tool, including:

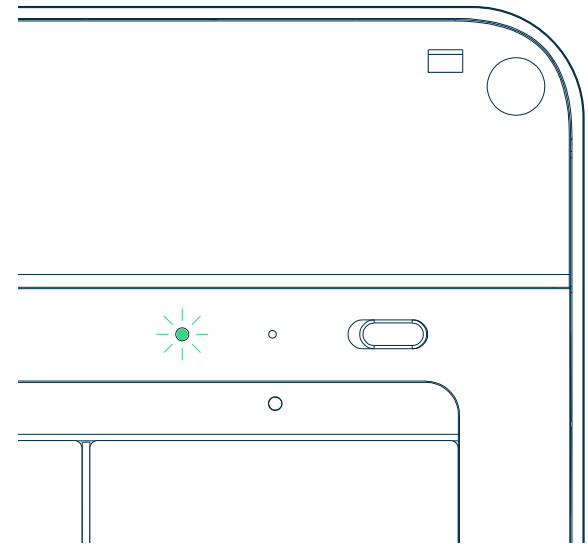
- SSID
- Security type
- Password
- IP (manual mode only)
- Subnet mask (manual mode only)
- Gateway (manual mode only)

Click save and disconnect your computer from the “Kaiterra” network.



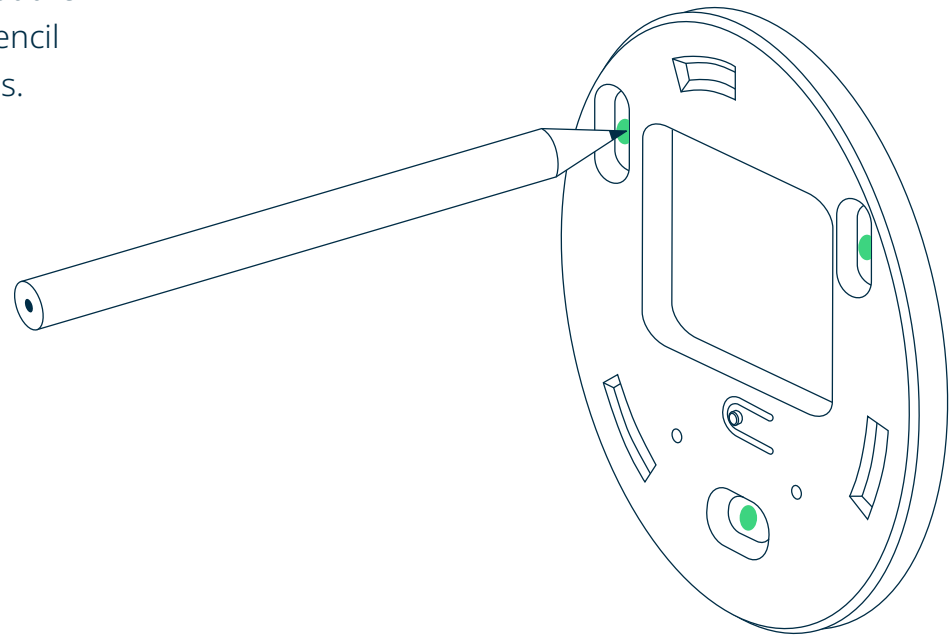
## C. Check for Connectivity

The STATUS light will flash in green during the pairing process, and eventually go off when the connection is successfully completed.



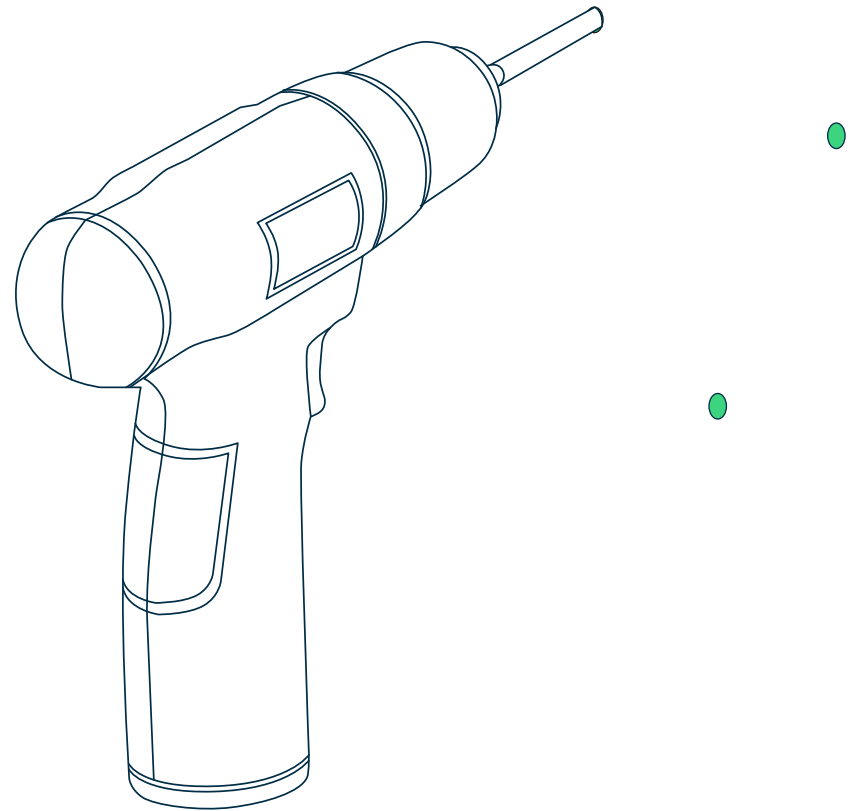
# 7 Prepare with the Surface / Drywall Mount

Find the Surface / Drywall Mount (circular shaped) included in the packaging. Place it at the desired location for installation and use a pencil to mark the location of the three screw holes.



# 8 Drill holes for anchors

Use your power drill and 6mm drill bit to create three holes at the marked screw hole locations.

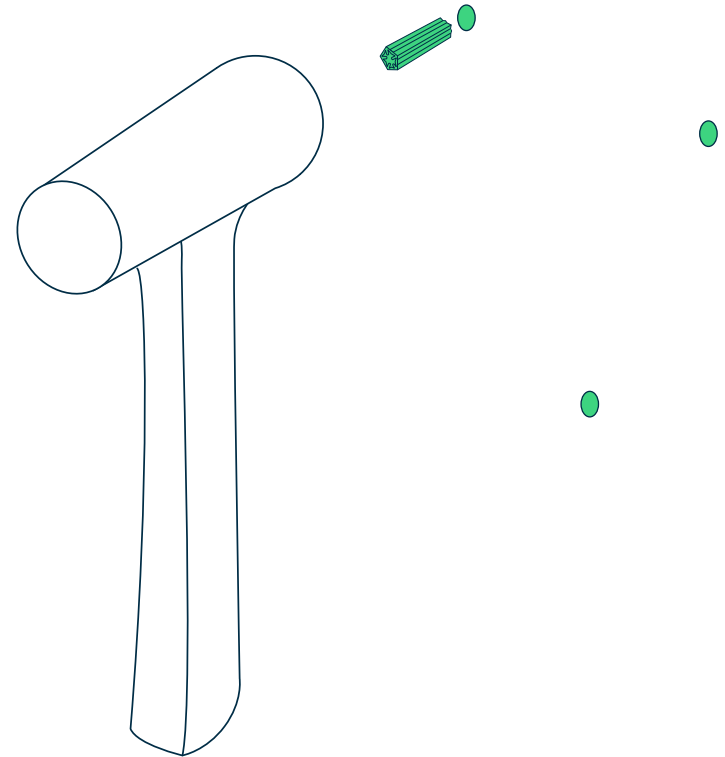


# 9 Placing anchors in the wall

Gently hammer the drywall anchors into the holes with your mallet.

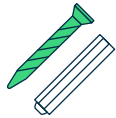


Drywall screws and anchors (3 pairs)

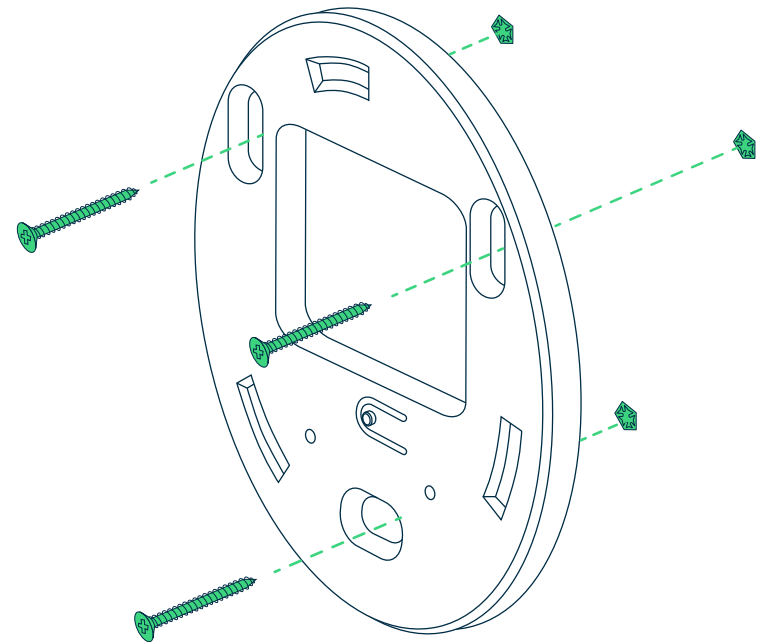


# 10 Mount plate to the wall

Line up the plate with your Drywall Anchors and mount it to the wall using provided Drywall Screws.



Drywall screws and anchors (3 pairs)

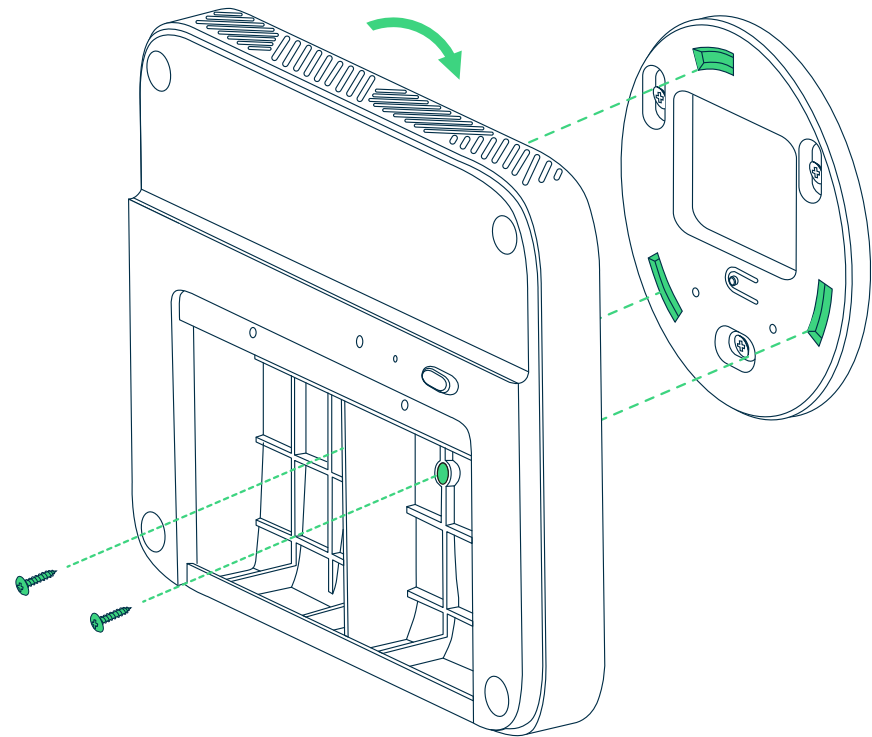


# 11 Secure the device in place

You will find three slots on the plate and three corresponding protrusions on the back of the device. Line the device up with the plate such that the protrusions are inside the corresponding slots. Rotate gently to secure the device and lock it in place, and use the two fastening screws to fasten the device to the plate.



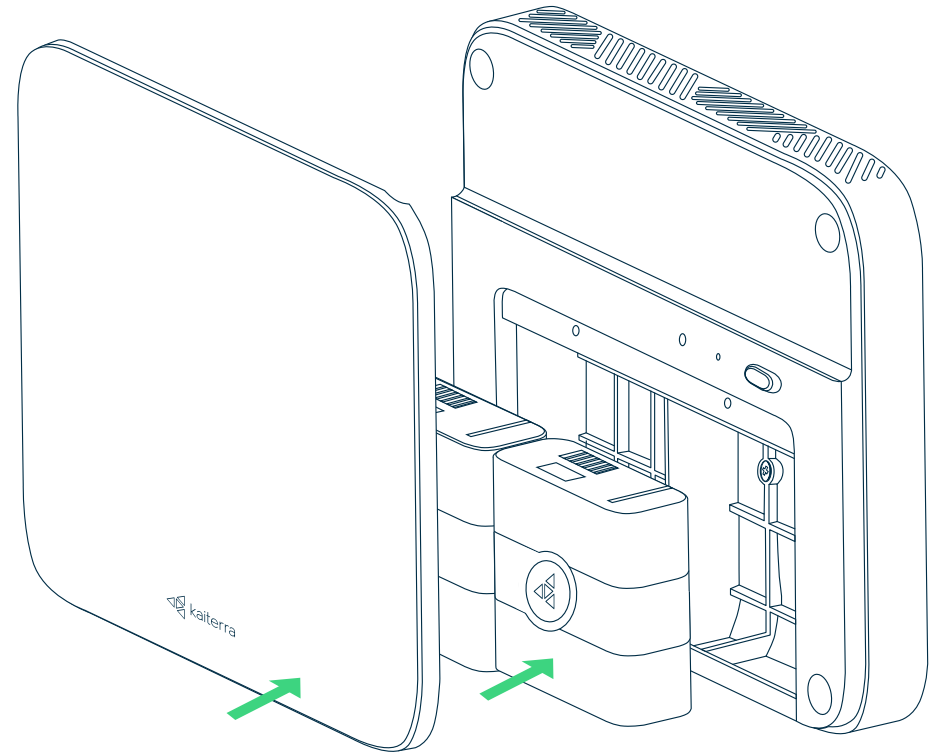
Fastening screws x 2



# 12 Install the modules

To install the sensor module, simply align it with the bay and press it in, ensuring the Kaiterra logo on the plastic tab is facing outwards. When inserted correctly, the module will click into place, and an LED light above the bay will briefly flash red if the device is powered on.

Sensor modules may be inserted in either sensor bay, and in any order. After successfully installing the modules, put the front cover on.



# 13 Complete Surface Mount Installation!

You have completed the installation process. Now follow our [Dashboard Setup Guide](#) to set up your Kaiterra dashboard account and connect your device to the dashboard.





For additional support,  
please contact your sales representative or contact us at the following email address:  
[support@kaiterra.com](mailto:support@kaiterra.com)